



 **KW Hydraulik**  
Aggregate und Werkzeuge  
www.dynaset-hydraulik.de info@kw-hydraulik.de +49 3675 421 980



## DATA SHEET

### HYDRAULIC PISTON COMPRESSORS



rev 1.1

HK 450 /8-14

HK 1000 /12-35

### HYDRAULIC PISTON COMPRESSOR

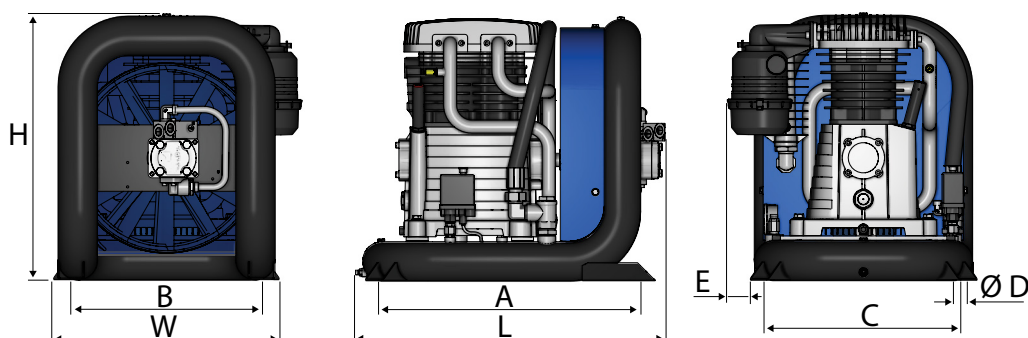
DYNASET HK hydraulic piston compressors are compact and integrated all-in-one units, especially designed for mobile installation. The only power source needed is a hydraulic system of base machine which provides compressor the required hydraulic flow and pressure.

HK compressor converts the hydraulic power into high quality compressed air and it can be installed in almost any working machine. HK compressors are used to power for example pneumatic tools, filling tires and cleaning equipment.

The trouble free hydraulic compressor starts reliably and needs no extra fuel. It will serve a long time – with far less need for maintenance compared to a towed compressor unit of same power level.

HK compressors are designed to meet regular modern compressed air demands.

### DIMENSIONS



MODEL		DIMENSIONS, mm (in)								WEIGHT kg (lbs)
		L	W	H	A	B	C	D	E	
HK 450 /8-14	Y	508 (20.0)		423 (16.7)						
	S	496 (19.5)		446 (17.6)						
	S-Y	499 (19.6)	422 (16.6)	423 (16.7)	374 (14.7)	350 (13.8)	350 (13.8)	11 (0.43)	-	35 (77.2)
	PNE	517 (20.4)		446 (17.6)						
	PNE-Y	527 (20.7)		423 (16.7)						
HK 1000 /12-35		710 (28.0)	490 (19.3)	605 (23.8)	610 (24.0)	430 (16.9)	430 (16.9)	13 (0.51)	60 (2.36)	80 (176.4)

### PARAMETERS

		HK 450 /8-14	HK 1000 /12-35
<b>DISCHARGE CHARACTERISTICS</b>			
Flow rate max. at ref. conditions *	l/min (gal)	450 (118.9)	1000 (264.2)
Pressure max.	bar (psi)	8 (116)	12 (174)
Compressed air connection	AP	BSP 1/2"	BSP 1"
Frame reservoir	l (gal)	4,27 (1.13)	14 (3.70)
<b>HYDRAULIC POWER REQUIREMENTS</b>			
Oil flow min.	l/min (gal)	10 (2.64)	12 (3.17)
Oil flow nom.	l/min (gal)	15 (3.96)	35 (9.25)
Oil flow max.	l/min (gal)	35 (9.25)	50 (13.20)
Pressure at nominal flow	bar (psi)	130 (1885)	210 (3046)
Pressure max.	bar (psi)	210 (3046)	230 (3336)
Pressure when unloaded	bar (psi)	67 (972)	100 (1450)
<b>HYDRAULIC FLUID REQUIREMENTS</b>			
Viscosity	cSt	10-200 / optimum 25-35	
Temperature **	° C (° F)	max. 70 (158)	
Filter ratio	µm	25 or better	
Cooling capacity requirement **	kW	2	4

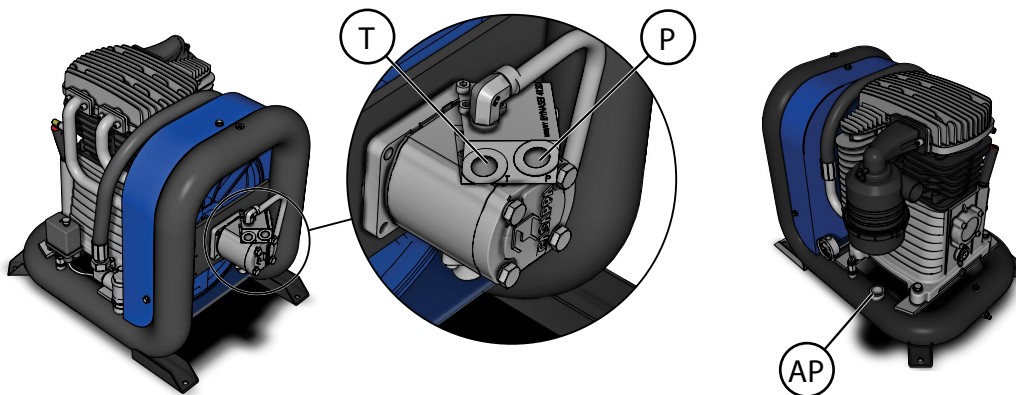
Gallons are U.S. liquid gallons

\* According to ISO 1217 (19.6) at discharge pressure of 6 bar

\*\* Depending on hydraulic fluid.

\*\*\* Minimum oil cooling capacity for HK compressor on base machine.

### CONNECTION PORTS



MODEL	PRESSURE LINE	RETURN LINE	AIR OUTPUT
	P	T	AP
HK 450 /8-14	BSP 1/2"	BSP 1/2"	BSP 1/2"
HK 1000 /12-35	BSP 1/2"	BSP 1/2"	BSP 1"



Menotie 3  
FI-33470 Ylöjärvi, Finland  
tel: +358 3 3488 200  
info@dynaset.com



#### ELECTRICITY

HG Hydraulic Generator  
HGV POWER BOX Variable Hydraulic Generator System  
HGV Variable Hydraulic Generator System  
HWG Hydraulic Welding Generator  
HGG Hydraulic Ground Power Generator



#### HIGH PRESSURE WATER

HPW Hydraulic High Pressure Water Pump  
HPW Hydraulic Power Washer  
KPL High Pressure Street Washing Unit  
HPW-DUST High Pressure Dust Suppression System  
PPL High Pressure Pipe Cleaning Unit  
HPW-FIRE High Pressure Firefighting System  
FP Fire Fighting Piercing Kit  
HDF Hydraulic Drilling Fluid Pump  
JPL High Pressure Bin Washing System  
HSP Hydraulic Submersible Pump



#### COMPRESSED AIR

HK Hydraulic Piston Compressor  
HKL Hydraulic Rotary Vane Compressor  
HKR Hydraulic Screw Compressor



#### MAGNET POWER

HMG PRO Hydraulic Magnet Generator  
MAG Lift Magnet  
HMAG PRO Hydraulic Magnet



#### VIBRATION

HVB Hydraulic Vibra  
HVD Hydraulic Directional Vibra  
HRC Hydraulic Reversal Cylinder



#### POWER BOOSTING

HPI Hydraulic Pressure Intensifier  
HPI-C Hydraulic Pressure Intensifier for Cylinder



#### KNOW-HOW

Hydraulic Power Take-off (PTO)  
Hydraulic Power Unit Technology  
De-Icing Technology  
Installation Valves  
HHK Hydraulic Grinder  
HV/HVY Hydraulic Winch / Winch Unit

[www.dynaset.com](http://www.dynaset.com)

